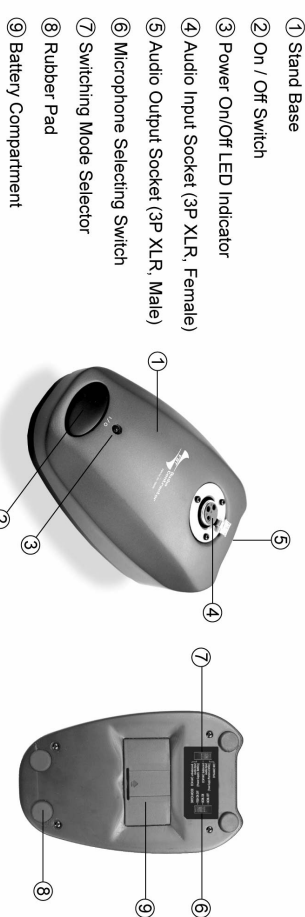


# STAC ST-5050 UNIVERSAL GOOSENECK MICROPHONE BASE

## Feature

- The stylish metal case with quick mount socket
- Programmable switch can be set as Push On / Push Off, Push To Talk and Push To Mute.
- Special anti-slip pad ensures firm standing and less bounced noise from desk.
- Microphone selecting switch is designed for optimum mixing effect.
- Available for all kinds of condenser and dynamic gooseneck microphones

## Parts Identification



## Use Instruction

(1) Plug the microphone onto the audio input socket.

(2) Connect the audio output socket to a mixer or amplifier with an audio cable. (Figure 1)

## Microphone Type

The stand base is available for both the condenser and dynamic gooseneck microphones. Switch to the correct position according to the microphone type. (Figure 2)

\* **Condenser Gooseneck Microphones:**

For the condenser microphones, it can be powered by either phantom power 9V to 52V or battery power 9V.

\* **Dynamic Gooseneck Microphones:**

While the dynamic microphone is applied, please insert the 9V battery in order to activate the On / Off Switch.

Note : Always power the ST-5050 by either phantom power 9V to 52V or battery power 9V in order to ensure all functions effective.

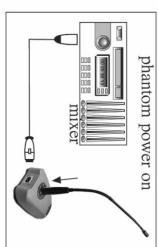


Figure 1

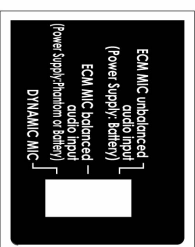


Figure 2

## Switching Mode Selecting

There are three operating modes, which can be selected on the bottom of the stand base. Push On / Push Off, Momentary On and Momentary Off. (Figure 3)

\* **Push On / Push Off:**

Switch to "PUSH ON/OFF" mode. Press the On / Off Switch to talk and press again to mute.

\* **Momentary On:**

Switch to "MOM. ON" mode. Microphone is ON only while the On / Off Switch is being pressed. (Push to Talk)

\* **Momentary Off:**

Switch to "MOM. OFF" mode. Microphone is OFF only while the On / Off Switch is being pressed. (Push to Mute)

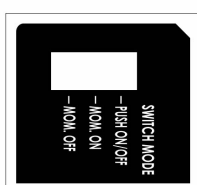


Figure 3

## LED Indicator

LED indicator shows the On/Off status. When the LED lights up, the microphone is ON and the power supply is normal.

## Specification

Frequency Response: 20 to 20,000 Hz

Power Requirement: Phantom power 9V~52V or battery power 9V

Current Consumption-Stand by: 1 mA

Current Consumption-Operating: 2.07 mA (BAL), 1.34 mA (UNBAL)

Switches: \* Push control: on / off

\* Microphone selection: ECM MIC unbalanced input, ECM MIC balanced input, Dynamic MIC input

\* Switching Mode Selector: push on / push off, momentary on, momentary off

Connector: Unbalanced and balanced audio input (3P XLR, Female)

Unbalanced and balanced audio output (3P XLR, Male)

Net Weight: 0.82 kg

## Dimension (m/m)

