



## ADA 8x8 CENTRAL UNIT

Signal processing and routing characteristics

- ◆ 8 digital power amplifiers and speaker line outputs, each max 150W / 8 Ohms
- ◆ 7 analog audio inputs, either mic. or line sensitivity
- ◆ phantom voltage for microphones
- ◆ 2 digital SPDIF stereo audio inputs
- ◆ 2 digital SPDIF stereo audio outputs
- ◆ built-in message player, 128 messages

Digital signal processing in each input:

- ◆ input signal can be either digital or analog
- ◆ 3-band parametric equalizer
- ◆ digital routing to any output channel, level control

Digital signal processing in each output:

- ◆ tone control, bass & treble
- ◆ 5-band parametric equalizer
- ◆ high pass filter, adjustable cut-off frequency, slope either 6, 12 dB or 24 dB/octave, Butterworth, Linkwitz- Riley or Bessel filter
- ◆ delay circuit for line array speaker applications
- ◆ compressor/limiter
- ◆ level control

## Control buses and I/O interfaces

- ◆ local bus interface (CAT5/6) for paging units and control devices
- ◆ system bus interface (CAT5/6) for system wide paging and control devices
- ◆ system bus link to next ADA 8x8 central unit
- ◆ USB B connection for user interface device like a PC ◆ USB A connection for LAN, external memory or for other control devices
- ◆ 8 programmable dry contact inputs
- ◆ 8 programmable open collector outputs
- ◆ paging/alarm control to ALT 8x8 for priority voltage

## System functions:

- ◆ system is expandable by connecting required number of ADA 8x8 units together via a system bus
- ◆ each ADA 8x8 has unique selectable address
- ◆ even 32 ADA 8x8's in a single system, 256 speaker lines and paging zones.
- ◆ each ADA 8x8 can have local programme sources

## System monitoring

- ◆ equipment and system monitoring according with the EN-60849 standard
- ◆ automatic switch over to spare central unit in case of a fault
- ◆ power supply voltage and temperature monitoring
- ◆ cooling fan monitoring

## ALT 8x8 LINE TRANSFER UNIT

- ◆ match the ADA 8x8 low impedance outputs to speakers with transformers (50-70-100V)
- ◆ available versions 8x50W, 8x80W, 4x160W and 2x320W
- ◆ priority voltage outputs 24VDC, max 1A

## AAE 800 PAGING AND CONTROL PANEL

- ◆ flexible gooseneck microphone
- ◆ guiding LCD display
- ◆ menu type user interface
- ◆ 8 pcs control or paging group buttons
- ◆ remote programme selection and level control
- ◆ up to eight units can be connected to ADA 8x8 (CAT5/6)
- ◆ connects either to system or local bus

## AAE 806 PAGING, CONTROL AND ALARM PANEL

- ◆ as AAE 800 but with eight additional lift-the-lid-and-press-the-key type alarm buttons to activate alarms

## AAE 804 FIREMAN'S MICROPHONE

- ◆ paging microphone on the highest priority with three lockable programmable alarm/evacuation/message push buttons.

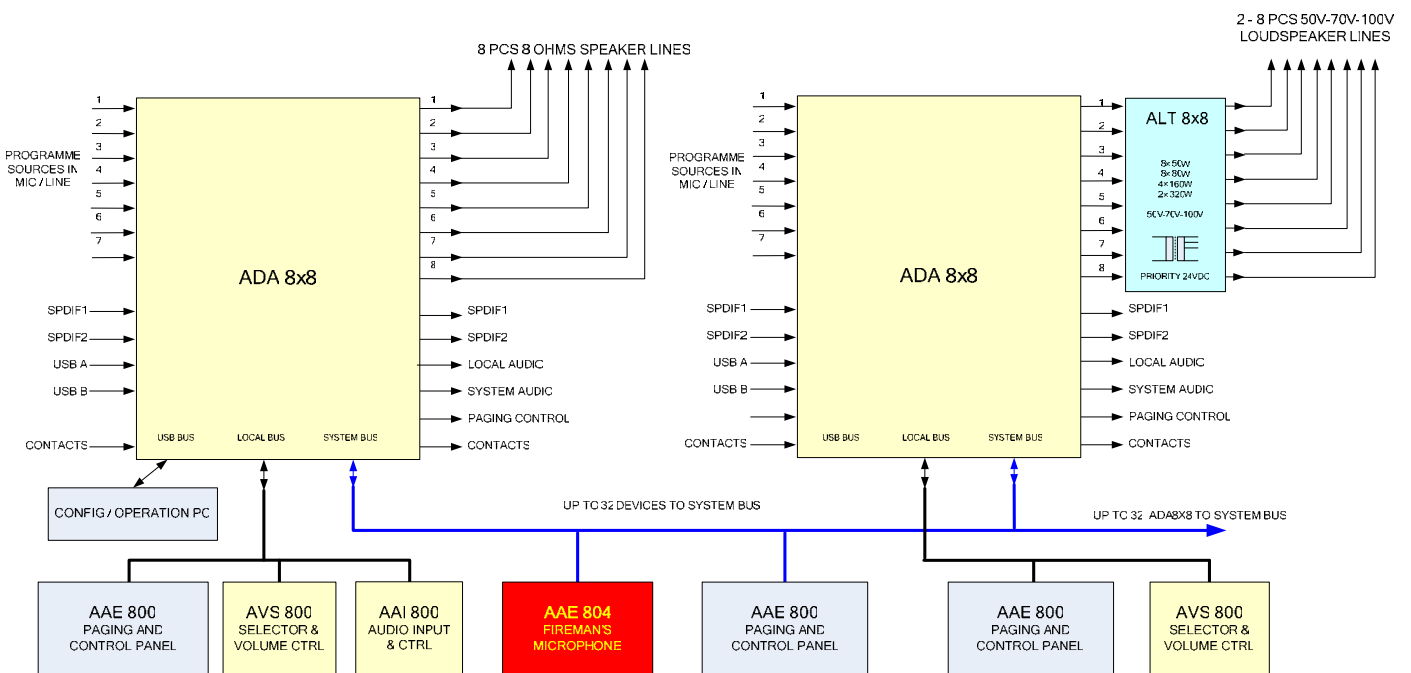
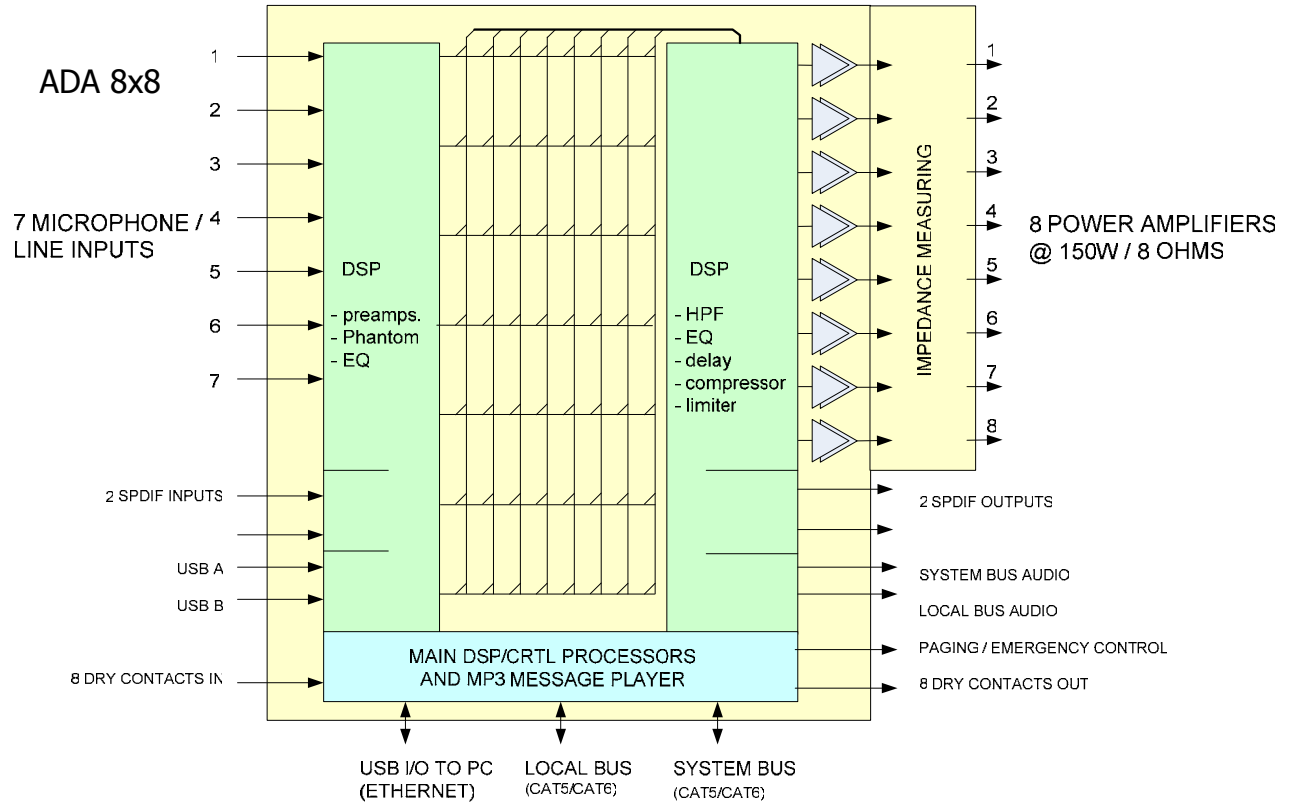
## AVS 800 SELECTOR AND VOLUME CONTROLLER

- ◆ used as a local sound control device
- ◆ sets volume level of a programmed group or a line
- ◆ connects to local bus using standard CAT5/6 cabling
- ◆ even eight AVS 800 devices for each ADA 8x8 unit

## AAI 800 AUDIO INTERFACE AND PRESET CONTROL

- ◆ used to connect local audio source and to select a preprogrammed routing and level
- ◆ 3,5mm stereo jack for line level source
- ◆ three preset buttons, each button programmable to route desired source to any line or lines.
- ◆ volume control.
- ◆ terminal for external XLR-connector





# AAE 800 Paging/Control Device

- Gooseneck microphone
- 2x16 digit display for the menu-type user interface
- Access to max. 256 programmed announcement area
- 8 programmable function button
- Ext. microphone input
- Stereo input for CD/PC etc, mixing facility with the microphone
- System control features:
  - Sound source selection
  - Group volume setting 1...254 channel
  - Fault log memory browser and fault offset
- Cat5/6 cabling



# AAE 800 Paging/Control Device



FBT ELETTRONICA SpA  
Zona Ind.le Squartabue 62019 Recanati (MC) - Italy  
Tel. +39-071 750591 r.a. Fax +39-071 7505920 - P.O. BOX 104 www.fbt.it e-mail:info@fbt.it

# AAE 806 Paging/Control Device with Alarm Buttons

- 6 programmable alarm button with plastic cover
- Critical signal path monitoring
- Configurable to be as a Supervising Device of Master Unit
- Other features as AAE 800



# AAE 804 Fireman's Device

- High quality handheld microphone
- Critical signal path monitoring
- Announcement button
- 3 programmable buttons with plastic cover
- Configurable to be as a Supervising Device of Master Unit
- Table or wall installation





FBT ELETTRONICA SpA  
Zona Ind.le Squartabue 62019 Recanati (MC) - Italy  
Tel. +39-071750591 r.a. Fax +39-071 7505920 - P.O. BOX 104 www.fbt.it e-mail:info@fbt.it

# ALT-8x8 Line Transformer Unit

- Same design as ADA 8x8
- To be connected to ADA 8x8
- Includes 8 line transformer a' 80 W
- Selectable output voltage: 50/70/100V
- Output power alternatives: 8x80W, 4x160 and 2x 320W or any combination from these (ADA 8x8 Locked Groups)
- 24V control for override relays

